



ELIS PLZEŇ a.s.



ULTRASONIC FLOW METER FLOMIC FL5034F

FLOMIC FL5034F

Battery-powered ultrasonic flow meter series FLOMIC FL5034F was specially developed for the control and inspection of hydrants. In addition to the total flow and instantaneous flow rate can be also measured the pressure.

The flow meter is equipped with a threaded connection and a holder for easy and frequent transfer in the field, so it is suitable for fire hydrants.

Measurements can be performed in the horizontal and vertical position.

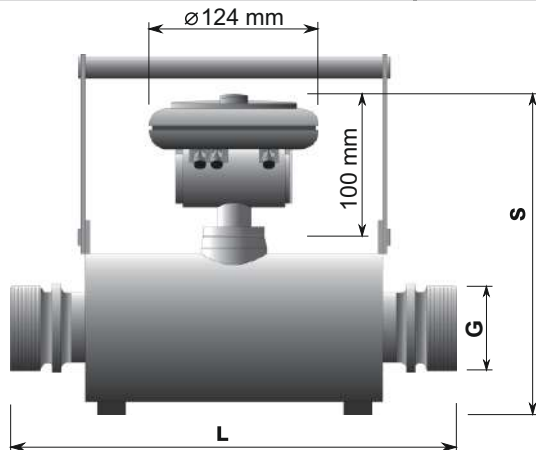
A part of the flow meter can be the embedded pressure sensor.

OPTIONAL METER ACCESSORIES:

- bi-directional flow rate and volume measurements with visual and electronic indication of the actual flow rate direction
- measurement and display of instantaneous water pressure values within the range of 1 to 16 bar
- using a passive current output signal 4 to 20 mA, monitoring the instantaneous flow rate or flow pressure values
- measured data storage with user-selectable sampling period of 1 minute to 1 year
- actual and stored data reading via the USB or RS 232 interface
- connection to a remote data transfer system by means of a GSM module
- use of alternative measurement units (Gal/min, or litre/sec)
- application of the meter within drinking-water supply systems
- power supply via the 4 to 20 mA current line

TECHNICAL PARAMETERS

nominal diameter [mm]		65	80	100
connecting thread G		G 2 1/2"	G 3"	G 4"
overload flowrate Q_4 [m ³ /h]		78,75	125	200
permanent flowrate Q_3 [m ³ /h]		63	100	160
minimum flowrate Q_1 [m ³ /h]		0,2	0,25	0,4
pulse output constant k_i [litres/pulse]		50	50	100
flowrate ratio Q_3/Q_1		315	400	400
water pressure class		MAP 16		
temperature class		T50		
flow-profile sensitivity class	before meter	U10		
	after meter	D5		
pressure loss class		ΔP 25		
climatic and mechanical resistance class		B		
electromagnetic environment		E1, E2		
flowrate sampling period		1 s		
display unit		single line 8 character LC display		
power supply		Li battery 3.6 V/19 Ah - lifetime 8 years in standard meter version		
protection class		IP 68		
output signal		measured flow-rate values indicated in the form of passive pulse output $U = 3$ to 30 V, $I = 0.002$ to 10 mA, $t_{imp} = 30$ ms		
optional accessories		passive current output 4 to 20 mA, $U = 10$ to 24 V		
	bi-directional flow-rate measurement	+ passive pulse output, $U = 3$ to 30 V, $I = 0.002$ to 10 mA, $t_{imp} = 30$ ms		
		- passive pulse output, $U = 3$ to 30 V, $I = 0.002$ to 10 mA, $t_{imp} = 30$ ms		
		passive current output 4 to 20 mA, $U = 10$ to 24 V, in combination with passive electric contact for indication of the actual flow-rate direction		
		optically isolated interfaces USB, RS 232, RS 232 + USB converter GSM module		



BASIC DIMENSION AND WEIGHT

Diameter [mm]	65	80	100
Connecting thread G	G 2 1/2"	G 3"	G 4"
Length L [mm]	400	400	400
Height with pressure sensor S [mm]	265	285	315
Height without pressure sensor S [mm]	255	275	305
Weight [kg]	9	12	14



Sales rep.:



Sensors AS
Setersletta 3
NO-2006 LØVENSTAD

+47 67 90 43 00
post@sensors.no
www.sensors.no

Es90592K/a