



ELIS PLZEŇ a.s.



ELECTROMAGNETIC FLOW METERS FLONET FR 10xx

FLONET FR 10xx

Electromagnetic flow meters of the type series FLONET FR 10xx including the Rosemount electronic convertes measure conductive liquids in water and heat supply systems, chemical, food processing and other industries. They meet the most stringent requirements on measurement accuracy, long-term stability and hygienic standards. Flow-rate measurements in both directions of flow are possible. The meter sensor has no movable mechanical parts and its inclusion in the piping system will have no effect on the hydraulic or pressure flow conditions. The converter unit provides for sensor energising and processing of sensor signals. The meter has frequency and current outputs, as well as interfaces to the Hart and Foundation Field Bus communication lines. Information is displayed in English.

METER SPECIFICATION

nominal diameter DN	DN 15 to DN 1200
nominal pressure PN	6, 10, 16, 25, 40
min. conductivity of measured fluid	5µS/cm
electrode material	stainless steel 1.4571, Hastelloy, titanium, tantalum, platinum
ambient temperature	-5 to 55 °C
sensor lining	soft or hard rubber, special rubber for drinking water, Teflon
version	remote or compact version
connection	flange, wafer
max. temperature of measured liquid	up to 150 °C
measurement accuracy	less than 0.5% for 5 to 100% q _s
measurement range	0.1 to 10 m/s
outputs	current (0) 4 to 20 mA, insulated frequency 0 to 1, 000 Hz, insulated
communication protocol	Hart or Foundation Field Bus
power supply	90 to 250V AC, 50 to 60Hz, 15 to 50V DC
protection class	IP 67 (IP 68)

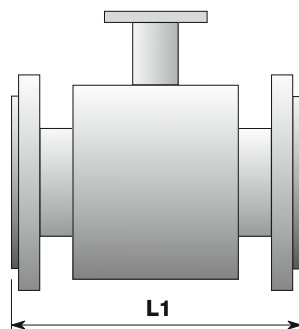
DESIGN VERSION, CONFIGURATION AND TYPE DESIGNATION

version	COMPACT		REMOTE	
option	ECONOMIC	COMFORT	ECONOMIC	COMFORT
type - flanged	FR 1010	FR 1014	FR 1011	FR 1015
- wafer	FR 1020	FR 1024	FR 1021	FR 1025

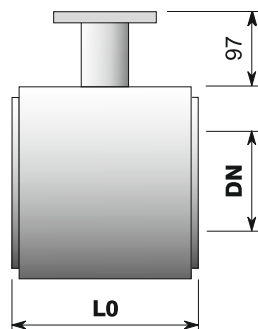
RATED INNER DIAMETER AND SENSOR LENGTH [mm]

PN	40				16				10				6			
DN	20	25-40	50-80	100	125	150	200	250	300	350	400-600	700	800	900	1,000	1,200
L1	200	200	200	250	250	300	350	450	500	550	600	700	800	900	1,000	1,200
L0	74	104	104	104	134	134	219	-	-	-	-	-	-	-	-	-

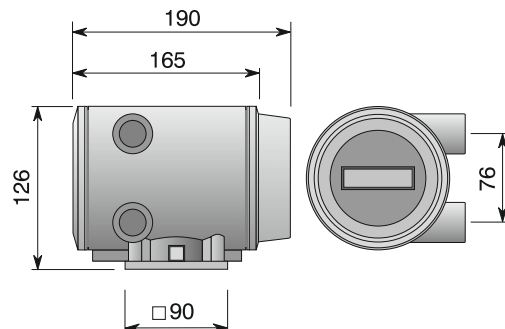
FLANGED VERSION



WAFFER VERSION



ELECTRONIC UNIT



Sales rep.:



Sensors AS
Setersletta 3
NO-2006 LØVENSTAD

+47 67 90 43 00
post@sensors.no
www.sensors.no

Es 90 366 K/b