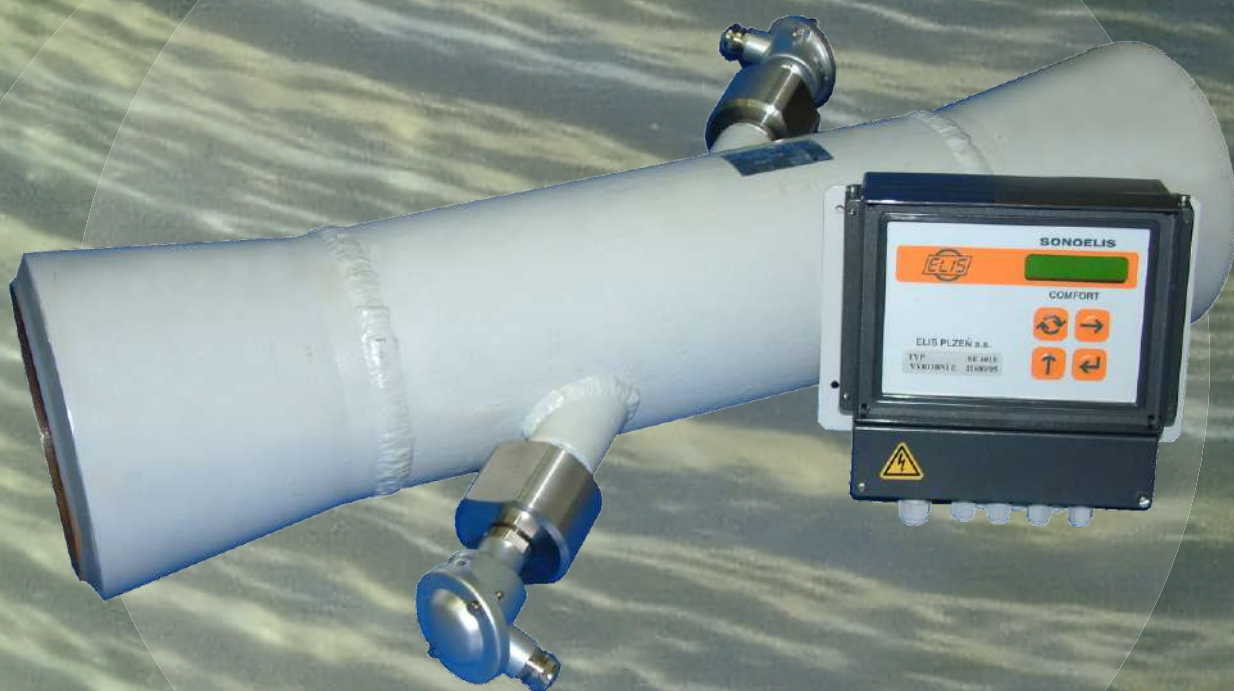




ELIS PLZEŇ a.s.



ULTRASONIC FLOW METER SONOELIS SE4015.xT

SONOELIS SE4015.xT

Ultrasonic flow meter SONOELIS SE4015.xT (single-beam) type series is intended for flow-rate measurements of high pressure conductive or non conduction liquids. Ultrasonic flow meter operates on the principle of transit times on measuring the difference of ultrasonic waves travelling in and against the fluid flow direction. The meter consists of a flow sensor and associated electronic unit. Ultrasonic flow meters offer excellent user value in their high measurement accuracy over a wide range of measured values, long-term stability of accuracy measurement, negligible hydraulic losses and the capability of measuring the flow-rate of virtually any liquid medium.

The electronic unit supplies power to both ultrasonic probes and, via its outputs, communicates the flow rate data to other co-operating data processing systems. The meter is supplied in remote electronic unit. Regarding operator comfort and optional accessories, the meter can be delivered in three configurations: COMFORT (including a display unit and control keyboard, signal outputs), STANDARD (including a display unit, signal outputs) or ECONOMIC (signal outputs only). Electronic is fitted into a plastic box or aluminium box.

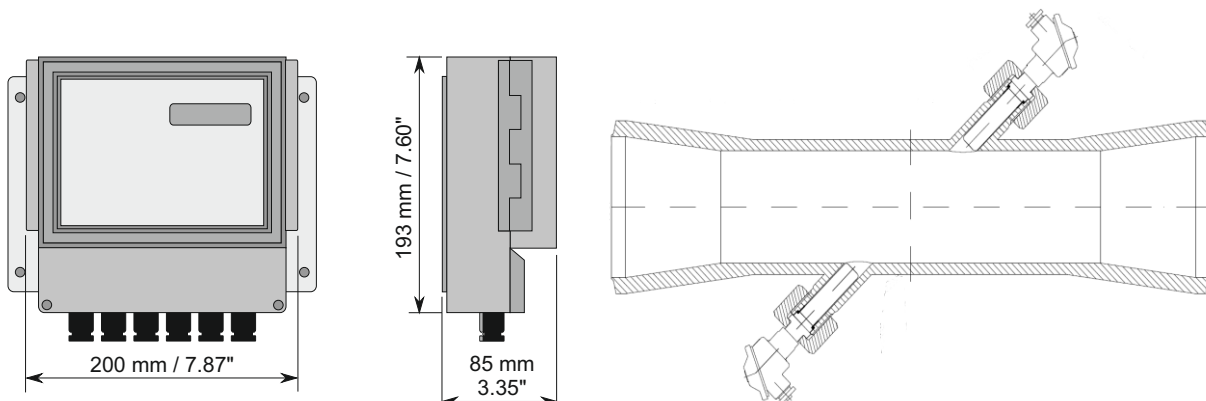
METER SPECIFICATIONS

nominal diameter / size	DN80 to DN200 / 3" to 8"
max tested pressure [bar]	63, 100, 160, 180, 240
measurement accuracy	± 1.0% for velocity of the measured liquid $v > 1\text{m/s}$
temperature of measured liquid	up to 150°C / 32 °F to 302 °F
ambient temperature	5°C to 55°C / 41 °F to 151 °F
display unit	alpha-numerical LCD unit, two lines of 16 characters each
power supply	100 to 250 VAC, 50 to 60Hz (AC)
protection class (electronic unit)	IP65
protection class (sensor)	IP54
outputs (insulated)	pulse type, one pulse per 0.1 to 1,000 litres frequency type, 0 to 1,000Hz or 10kHz (0 to q_s) relay type 24 VAC/0.1 A
optional accessories	communication line RS 485 current output 0 (4) to 20mA » (0 to Q_4) switching output 24VAC/0,1A mass flow-rate measurement capability for water flow-rate measurement in two directions protection of sensor IP68

METER VERSION, CONFIGURATION AND TYPE DESIGNATION

version of box	PLASTIC BOX			ALUMINIUM BOX	
configuration	ECONOMIC	STANDARD	COMFORT	ECONOMIC	COMFORT
single-beam sensor	SE4011T	SE4013T	SE4015T	SE4011.1T	SE4015.1T

PLASTIC ELECTRONIC UNIT



Sales rep.:



Sensors AS
Setersletta 3
NO-2006 LØVENSTAD

+47 67 90 43 00
post@sensors.no
www.sensors.no

Es90413K/a