



ELIS PLZEŇ a.s.



**ULTRASONIC FLOW METERS SONOELIS SE401x
SONOELIS SE402x**

SONOELIS SE401x, SE402x

Ultrasonic flow meters SONOELIS SE401x (single-beam) and SE402x (dual-beam) are intended for flow rate measurements of conductive, non-conductive and aggressive liquids. Ultrasonic flow meters operate on the principle of measuring the difference in transit times of ultrasonic waves travelling in and against the fluid flow direction. The meter consists of a flow sensor and remote transmitter. Ultrasonic flow meters offer excellent user value in their high measurement accuracy over a wide range of measured values, long-term stability, negligible hydraulic losses and the capability of measuring the flow rate of virtually any liquid medium.

The transmitter supplies power to ultrasonic probes and, via its outputs, communicates the flow rate data to other cooperating data processing systems. The meter is supplied with remote transmitter. Regarding operator comfort and optional accessories, the meter can be delivered in three configurations: COMFORT (including a display unit and control keyboard, signal outputs), STANDARD (including a display unit, signal outputs) or ECONOMIC (signal outputs only).

METER SPECIFICATIONS

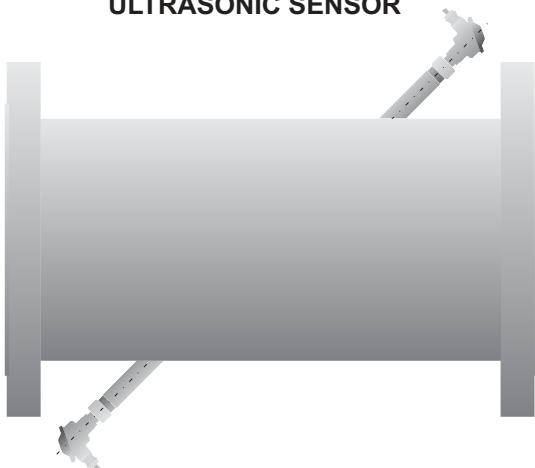
nominal diameter / size	DN200 to DN1200 / 8" to 48"
nominal pressure [bar / psi]	standard 10 / 150, substandard 16 or 25 / 300 or 600 for DN200 to DN500 / 8" to 20"
measurement accuracy EN ISO 4064-1 (OIML R 49), EN 1434 (OIML R 75) *	2
temperature of measured liquid	0 °C to 150 °C / 32 °F to 302 °F
ambient temperature	5°C to 55°C / 41 °F to 151 °F
display unit	alpha-numerical LCD unit, two lines of 16 characters each
power supply	100 to 250VAC, 50 to 60Hz (AC)
protection class (transmitter)	IP 65
protection class (ultrasonic sensor)	IP 54 (IP 68)
outputs (insulated)	pulse type frequency type 0 to 1,000Hz or 10kHz relay type 24VAC/0.1 A
optional accessories	communication line RS 485 extended temperature range: -20°C to +180°C / -4 °F to 356 °F current output 0 (4) to 20mA mass flow-rate measurement capability for water flow-rate measurement in two directions sensor protection class IP 68 power supply 24 V DC \pm 10%
approval MID	TCM 142/16 - 5353 for SE4011

*) optional measurement accuracy \pm 1% for velocity of the measured liquid $v > 0.5$ m/s / 1.64 ft/s for SE401x
 \pm 0.5% for velocity of the measured liquid $v > 0.5$ m/s / 1.64 ft/s for SE402x

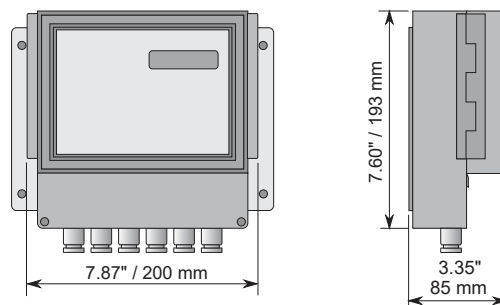
METER VERSION, CONFIGURATION AND TYPE DESIGNATION

version	REMOTE		
configuration	ECONOMIC	STANDARD	COMFORT
single-beam type	SE4011	SE4013	SE4015
dual-beam type	SE4021	SE4023	SE4025

ULTRASONIC SENSOR



TRANSMITTER



Sales rep.:



Sensors AS
Setersletta 3
NO-2006 LØVENSTAD

+47 67 90 43 00
post@sensors.no
www.sensors.no

Es90332K/c