



ELIS PLZEŇ a.s.



**ULTRASONIC FLOWMETERS SONOELIS SE404x  
SONOELIS SE406x**

## SONOELIS SE404x, SE406x

Ultrasonic flow meters SONOELIS SE404x (single-beam) and SE406x (dual-beam) are intended for flow rate measurements of conductive, non-conductive and aggressive liquids. Ultrasonic flow meters operate on the principle of measuring the difference in transit times of ultrasonic waves travelling in and against the fluid flow direction. The meter consists of a flow sensor and remote transmitter. Ultrasonic flow meters offer excellent user value in their high measurement accuracy over a wide range of measured values, long-term stability, negligible hydraulic losses and the capability of measuring the flow rate of virtually any liquid medium. The transmitter supplies power to ultrasonic probes and, via its outputs, communicates the flow-rate data to other co-operating data processing systems. The meter is supplied with remote transmitter. Regarding operator comfort and optional accessories, the meter can be delivered in three configurations: COMFORT (including a display unit and control keyboard, signal outputs), STANDARD (including a display unit, signal outputs) or ECONOMIC (signal outputs only). The transmitter is fitted into a plastic box in the remote version.

### METER SPECIFICATIONS

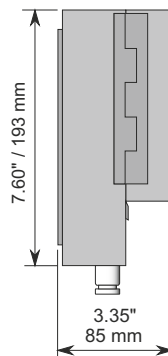
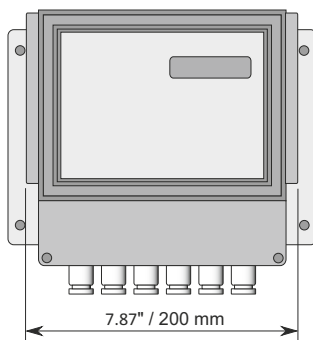
nominal diameter / size	DN32 to DN300 / 1 1/4" to 12"
nominal pressure [bar / psi]	40 / 600 (DN32 to DN80 / 1 1/4" to 3") and 16 / 150 (from DN100 / 5")
measurement accuracy EN ISO 4064-1 (OIML R 49), EN1434 (OIML R 75) *)	2
temperature of measured liquid	0 °C to 150 °C / 32 °F to 302 °F
ambient temperature	5°C to 55°C / 41 °F to 151 °F
display unit	alpha-numerical LCD unit, two lines of 16 characters each
power supply	100 to 250VAC, 50 to 60Hz (AC)
protection class (transmitter)	IP 65
protection class (sensor)	IP 67
outputs (insulated)	pulse type, one pulse per 0.1 to 1,000 litres frequency type, 0 to 1,000Hz or 10kHz relay type 24VAC/0.1 A
optional accessories	communication line RS 485 extended temperature range: -20°C to +180°C / -4 °F to 356 °F current output 0 (4) to 20mA mass flow-rate measurement capability for measurement of water flow-rate measurement in two directions sensor protection class IP68 power supply 24 V DC $\pm$ 10%
approval MID	TCM 142/16 - 5353 for SE4041

\*) optional measurement accuracy  $\pm$  1% for velocity of the measured liquid  $v > 0.5$  m/s / 1.64 ft/s for SE404x  
 $\pm$  0.5% for velocity of the measured liquid  $v > 0.5$  m/s / 1.64 ft/s for SE406x

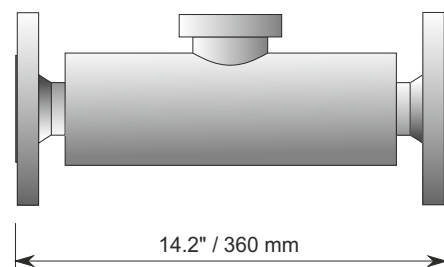
### METER VERSION, CONFIGURATION AND TYPE DESIGNATION

version	REMOTE		
configuration	ECONOMIC	STANDARD	COMFORT
single-beam sensor	SE4041	SE4043	SE4045
dual-beam sensor	SE4061	SE4063	SE4065

**TRANSMITTER**



**FLOWMETER SENSOR**



Sales rep.:

**SENSORS**<sup>®</sup>

Sensors AS  
Setersletta 3  
NO-2006 LØVENSTAD

+47 67 90 43 00  
post@sensors.no  
www.sensors.no

Es90279K/d