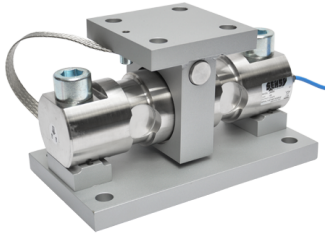


Load cells for silo weighing combining a sturdy design with easy installation.



Model 2600 - 10 t + I2600



Features

- o Material: stainless steel
- o Protection class: IP67
- o Mounting kits available with following properties:
 - stabilisation without tension rods
 - compensation of thermal dilatations
 - compensation of defective alignment
- o Cable length: see drawing table - CL (other lengths available on request)

Most popular options



Ex i



-50°C...+180°C

IP68

Application(s) SENSY's load cells 2600 are perfectly designed for the following applications:

- High-capacity silos, tanks or hopper weighing (indoor and outdoor),
- Reactors and mixers weighing (vibrating),
- Weighing in potentially seismic areas.

Capacities

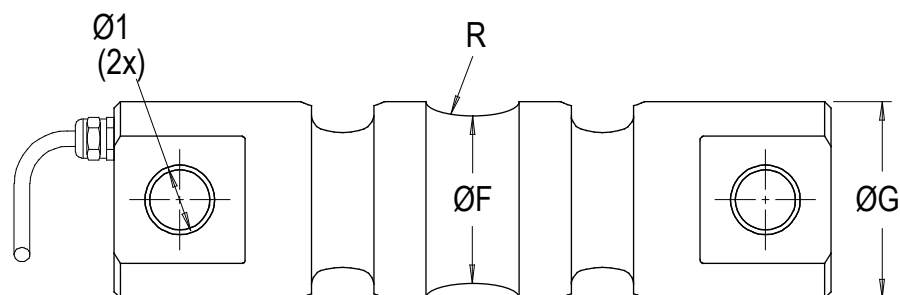
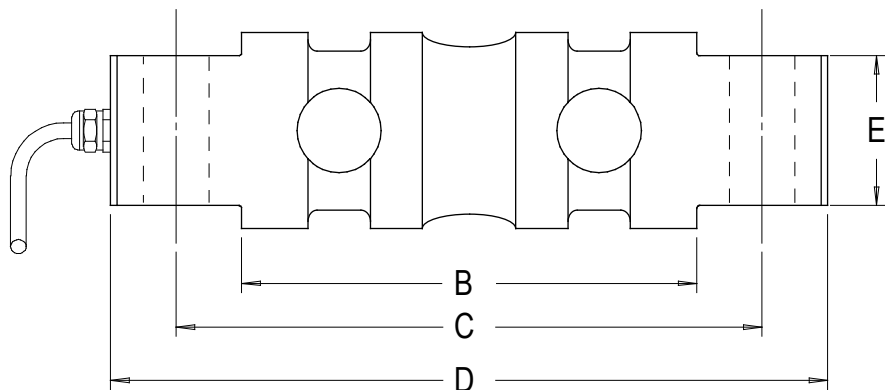
2600: 10 - (15) - 20 - 30 - 50 - 75 t

Specifications	0.25 %	0.1 %	
Accuracy class	0.25 % F.S.*	0.1% F.S.*	-
Combined error (non-linearity + hysteresis)	<± 0.25	< ± 0.1	% F.S.*
Repeatability error	<± 0.1	<± 0.03	% F.S.*
Creep error over 30 min.	<± 0.1	<± 0.06	% F.S.*
Zero shift after loading	<± 0.025	<± 0.015	% F.S.*
Reference temperature	23	23	°C
Compensated temperature range	-10...+45	-10...+45	°C
Service temperature range	-30...+70	-30...+70	°C
Storage temperature range	-50...+85	-50...+85	°C
Temperature coefficient of the sensitivity	<± 0.05	<± 0.05	% F.S./10°C
Temperature coefficient of zero signal	<± 0.035	<± 0.035	% F.S./10°C
Nominal sensitivity	2	2	mV/V
Sensitivity tolerance	<± 0.3	<± 0.3	%
Input resistance	350 ± 2	350 ± 2	ohm(s)
Output resistance	350 ± 2	350 ± 2	ohm(s)
Insulation resistance (50 V)	> 5000	> 5000	Mohm(s)
Reference excitation voltage	10	10	VDC
Permissible nominal range of excitation voltage	3...12	3...12	VDC
Safe load limit	150	150	% F.S.*
Breaking load	>300	>300	% F.S.*
Permissible dynamic loading	50	50	% F.S.*

* F.S. : Full Scale.

Specifications subject to change without notice.

2600 > STANDARD DIMENSIONS

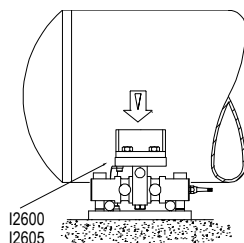
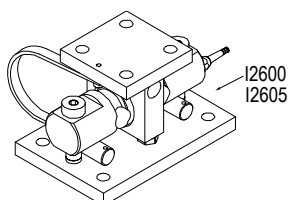
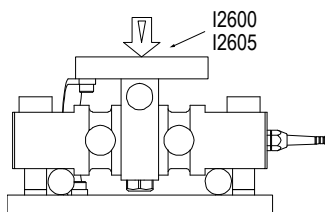
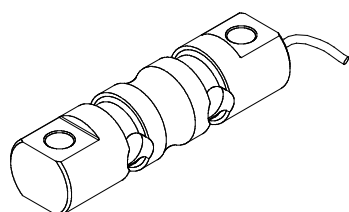


Ref. Item	Capacities	B	C	D	E	ØF	ØG	R	Ø1	CL (m)	Weight (kg)
2600-A	10 - 20 t	118	188	230	51	55	63	30	21	10	4.3
2600-B	30 t	130	220	270	55	57	74	50	24.5	12	7
2600-C	50 t	134	240	290	70	80	89	40	31	12	11
2600-D	75 t	222	300	360	88	103	109	45	34	20	24.6

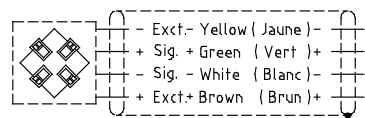
→ Other capacities and dimensions available on request

Dimensions in mm

Accessories

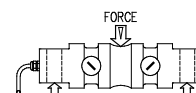
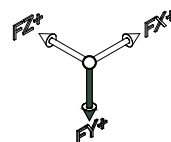


Wiring

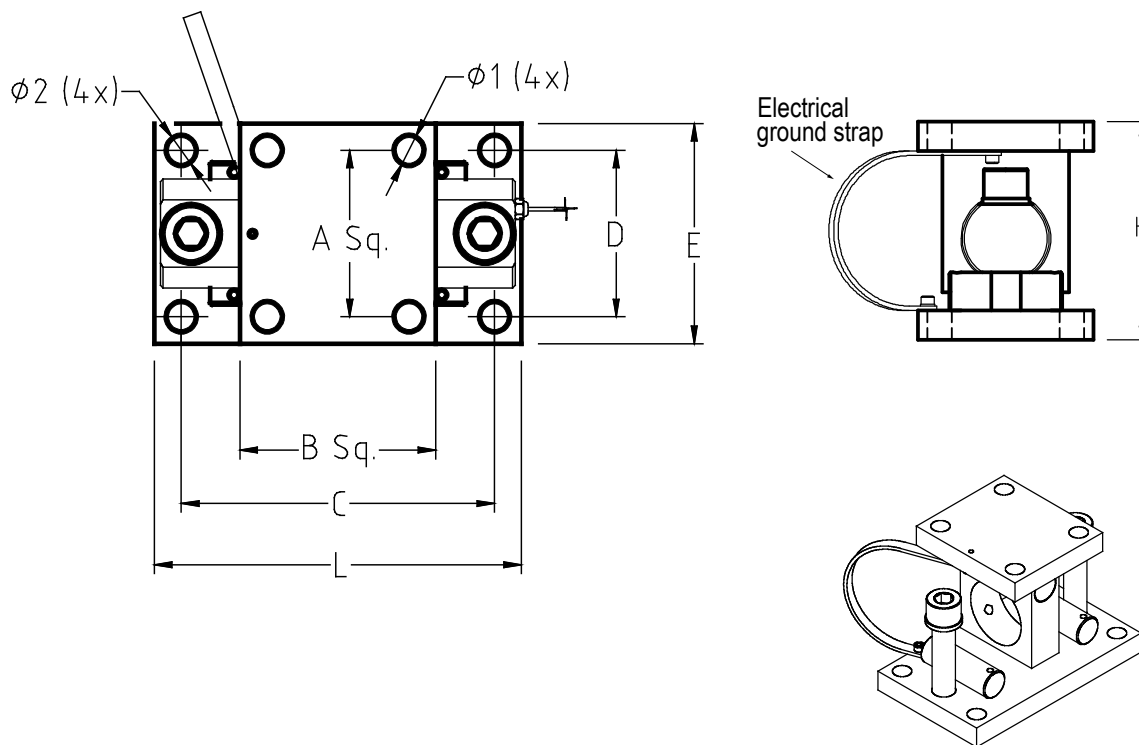


Standard : Cable screen not connected to transducer
Faradisation non connectée au capteur

Load direction



↳ I2600-I2605 > **STANDARD DIMENSIONS**



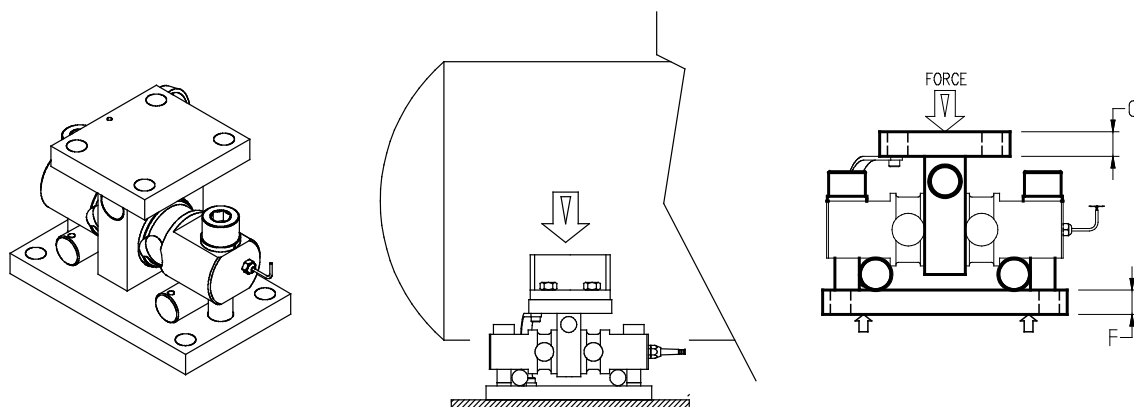
Ref. Item*	Capacities	A	B	C	D	E	F	G	H	L	Ø1	Ø2	Weight (kg)
I260x-A	10 - 20 t	80	120	190	110	150	20	20	145	230	17	17	10.5
I260x-B	30 t	110	150	240	110	150	25	25	184	280	21	21	16.5
I260x-C	50 t	136	180	256	136	180	30	30	224	300	25	25	25
I260x-D	75 t	180	250	440	160	250	40	30	327	520	23	34	86

* x=Material: I2600 - stainless steel; I2605 - alloy steel

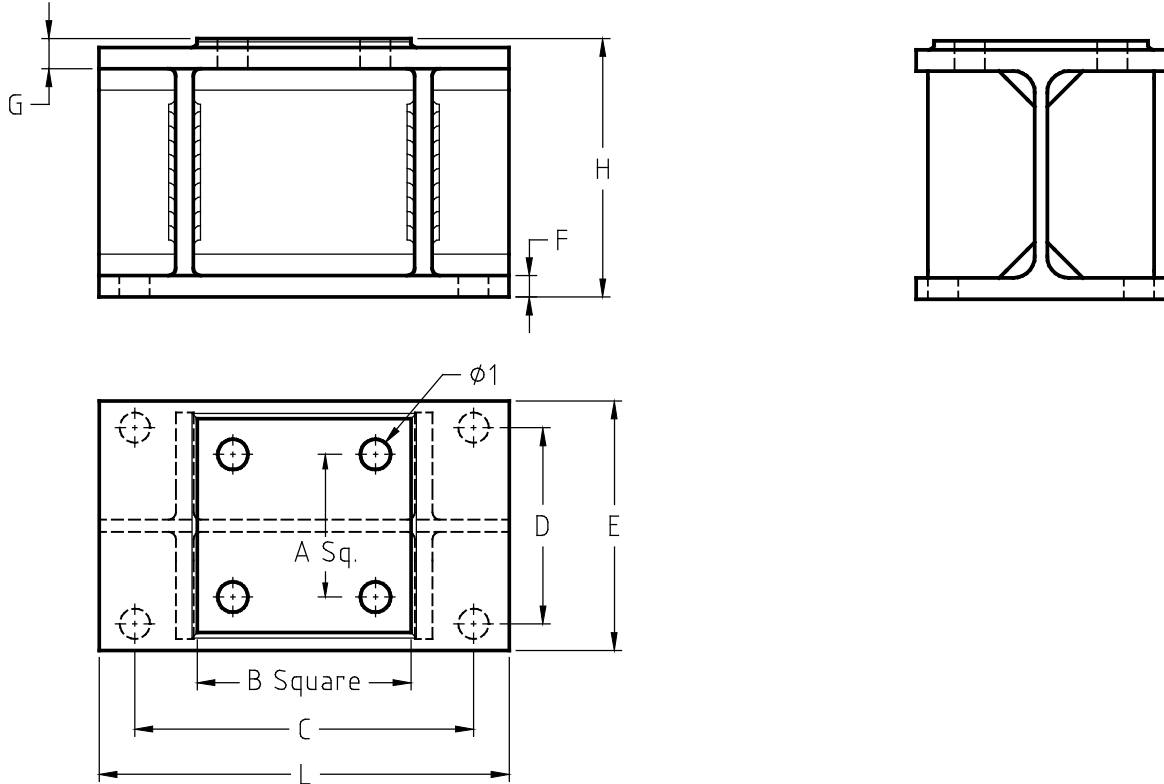
→ Other capacities and dimensions available on request

Dimensions in mm

Other views



D2600-D2605 > **STANDARD DIMENSIONS**



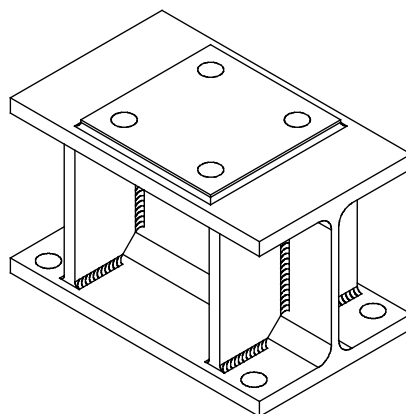
Ref. Item*	Capacities	A	B	C	D	E	F	G	H	L	Ø1	Weight (kg)
D260x-A	10 - 20 t	80	120	190	110	140	12	17	145	230	17	10.2
D260x-B	30 t	110	150	240	110	180	14	184	184	280	18	18.4
D260x-C	50 t	136	180	256	136	220	16	224	224	300	20	26.23
D260x-D	75 t	According to customer's design specifications										

* x=Material: D2600 - stainless steel; D2605 - alloy steel

→ Other capacities and dimensions available on request

Dimensions in mm

Other view



Sales rep.:



Sensors AS
Setersletta 3
NO-2006 LØVENSTAD

+47 67 90 43 00
post@sensors.no
www.sensors.no