

3500

SHEAR BEAM LOAD CELLS

Universal load cells combining sturdy design, high accuracy and low cost.



Model 3500 -10 t



Features

- o Material: stainless steel
- o Protection class: IP67
- o Sturdy design
- o Mounting kits available with following properties:
 - stabilisation without tension rods
 - compensation of defaults of parallelism
- o Cable length: see drawing table (other lengths available on request)

Most popular options



Ex i



Application(s) SENSY's load cells 3500 are perfectly designed for the following applications:

- Low-profile scales, pallets, platform scales,
- Packaging, batching and filling machines,
- Reactors, tanks, vessels or hoppers weighing.

Capacities

3500: 3 - 5 - (7.5) - 10 t

Specifications	A3	0.03 %	
Accuracy class	0.03 %** F.S.*	0.03% F.S.*	-
Combined error (non-linearity + hysteresis)	<± 0.03	<± 0.03	% F.S.*
Repeatability error	<± 0.015	<± 0.015	% F.S.*
Creep error over 30 min.	<± 0.03	<± 0.025	% F.S.*
Reference temperature	23	23	°C
Compensated temperature range	-10...+45	-10...+45	°C
Service temperature range	-30...+70	-30...+70	°C
Storage temperature range	-50...+85	-50...+85	°C
Temperature coefficient of the sensitivity	<± 0.05	<± 0.015	% F.S./10°C
Temperature coefficient of zero signal	<± 0.05	<± 0.023	% F.S./10°C
Nominal sensitivity	2	2	mVV
Sensitivity tolerance	<± 0.2	<± 0.2	%
Input resistance	400 ± 10	400 ± 10	ohm(s)
Output resistance	350 ± 3	350 ± 3	ohm(s)
Insulation resistance (50 V)	> 5000	> 5000	Mohm(s)
Reference excitation voltage	10	10	VDC
Permissible nominal range of excitation voltage	3..12	3..12	VDC
Safe load limit	150	150	% F.S.*
Breaking load	>300	>300	% F.S.*
Permissible dynamic loading	50	50	% F.S.*
Static lateral force limit	100	100	% F.S.*

* F.S. : Full Scale.

** : except thermal drifts

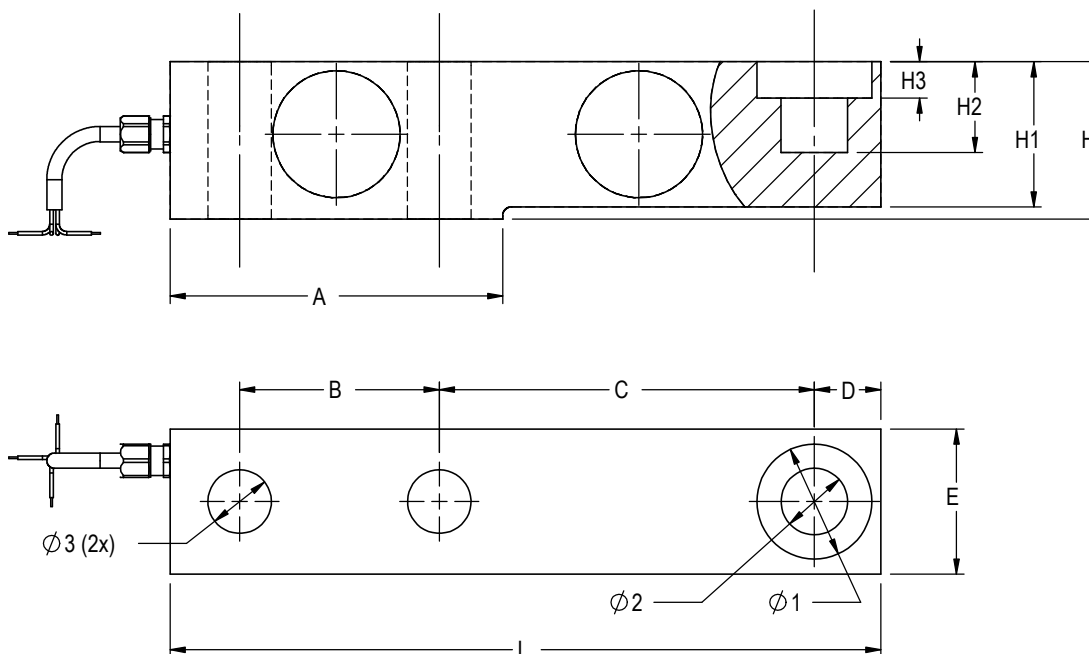
Specifications subject to change without notice.



ISO 9001 certified

rev. : 09/07/2020

→ 3500 > STANDARD DIMENSIONS

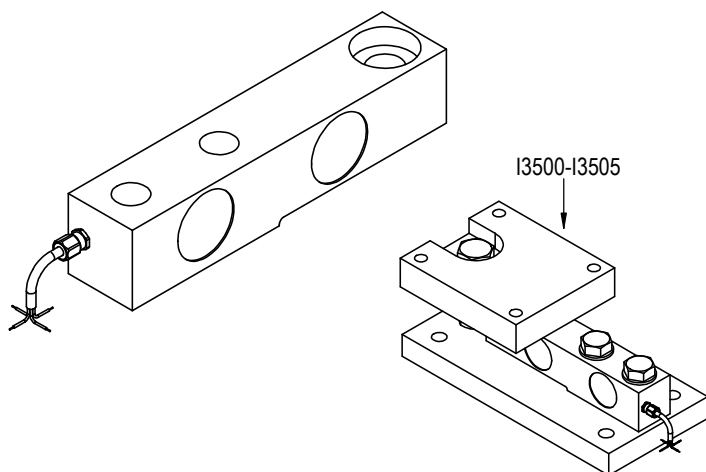


Ref. Item	Capacities	L	A	B	C	D	E	H	H1	H2	H3	Ø 1	Ø 2	Ø 3	CL (m)	Weight (kg)
3500-A	3 t	203	95	64	98	22	36.6	43	36.6	30.5	8	32	16	13	3	2.15
3500-B	5 - 7.5 t	235	110	66	124	22	48	52	48	30	12	38	22	21	5	4.01
3500-C	10 t	279	133	82	140	32	60	67	60	20	8.5	48	32	28	6	7.26

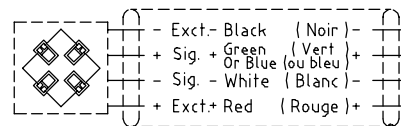
→ Other capacities and dimensions available on request

Dimensions in mm

Accessories

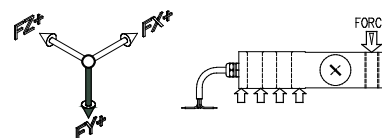


Wiring

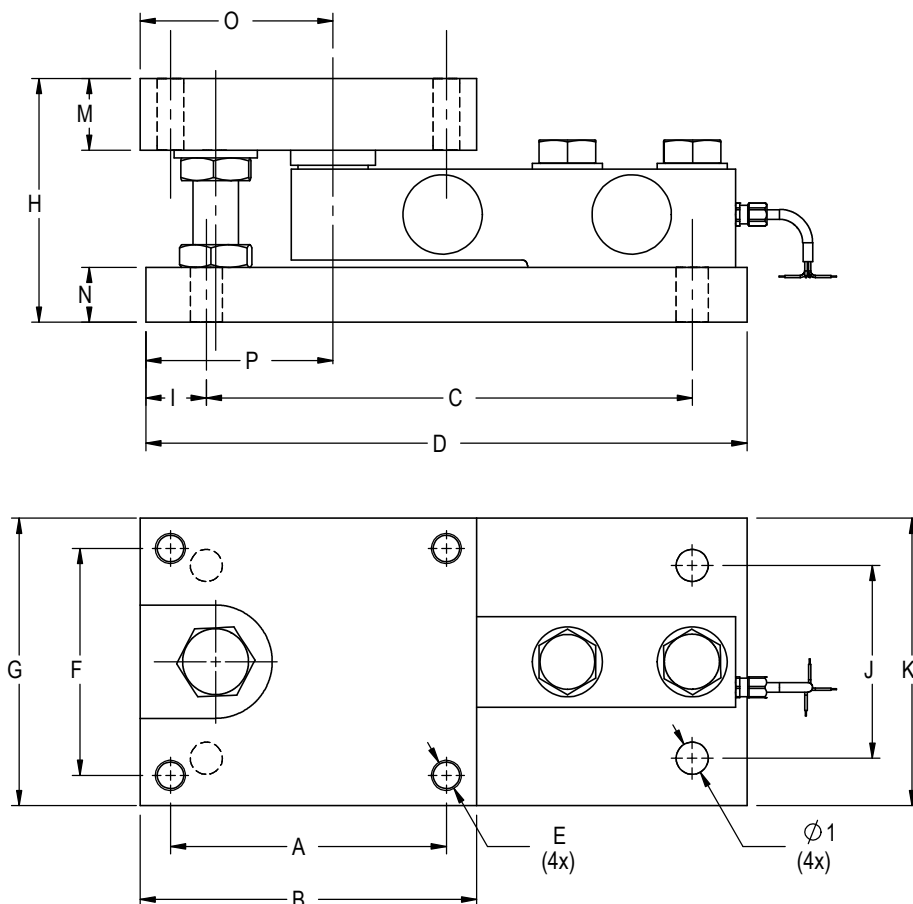


Standard : Cable screen not connected to transducer
Faradisation non connectée au capteur

Load direction



→ I3500-I3505 > STANDARD DIMENSIONS



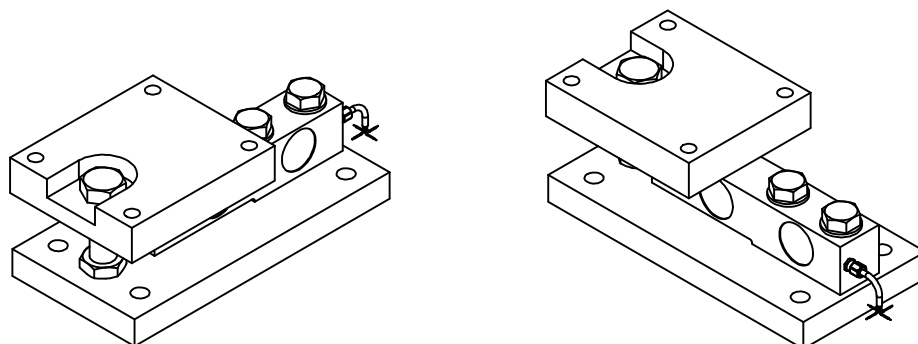
Ref. Item*	Capacities	A	B	C	D	E	F	G	H	I	J	K	M	N	O	P	Ø 1
I350x-A	3 t	124	150	226	286	M10	102	112	102	32	80	112	28	23	99	96	13
I350x-B	5 - 7.5 t	146	178	257	318	M16	120	152	129	32	102	152	38	29	102	99	17
I350x-C	10 t	152	184	295	360	M20	122	154	166	32	106	154	44	44	108	105	21

* Material : I3500 - stainless steel ; I3505 - alloy steel

→ Other capacities and dimensions available on request

Dimensions in mm

Other views



Sales rep.:

SENSORS[®]

Sensors AS
Setersletta 3
NO-2006 LØVENSTAD

+47 67 90 43 00
post@sensors.no
www.sensors.no

Rev. 23/07/2018