

5190-5195

THROUGH HOLE (ANNULAR) HEAVY-CAPACITY LOAD CELLS

Annular compression load cells.



Model 5190 - 500 kN



Features

- o Low profile for high-capacity load cells
- o Material: stainless steel (5190) or nickel-plated steel (5195)
- o Protection class: IP65
- o Sturdy design
- o Cable length: see drawing table - CL (other lengths available on request)

Most popular options



Ex i



Application(s)

SENSY's load cells 5190-5195 are perfectly designed for the following applications:

- Primary transducer on tensile test machine,
- Pre-stressed rods measurement (concrete, snow, earth pressure, rocks,...),
- Industrial force measurement in confined spaces.

Capacities

5190 - 5195: 200 - 300 - 500 kN / (0.75) - 1 - 1.5 - 2 - 3 - 5 MN

5195: (7.5) -10 - 15 - 20 - (30) MN

Specifications	SL	
Repeatability error	<± 0.25	% F.S.*
Creep error over 30 min.	<± 0.3	% F.S.*
Zero shift after loading	<± 0.5	% F.S.*
Reference temperature	23	°C
Compensated temperature range	-10...+45	°C
Service temperature range	-30...+70	°C
Storage temperature range	-50...+85	°C
Temperature coefficient of the sensitivity	<± 0.2	% F.S.* / 10°C
Temperature coefficient of zero signal	<± 0.2	% F.S.* / 10°C
Zero balance	± 0.02	mV/V
Nominal sensitivity	1.5	mV/V
Input resistance	700 ± 2	ohm(s)
Output resistance	700 ± 2	ohm(s)
Insulation resistance (50 V)	> 5000	Mohm(s)
Reference excitation voltage	10	VDC
Permissible nominal range of excitation voltage	3...12	VDC
Safe load limit	150	% F.S.*
Breaking load	> 300	% F.S.*
Permissible dynamic loading	50	% F.S.*
Static lateral force limit	25	% F.S.*

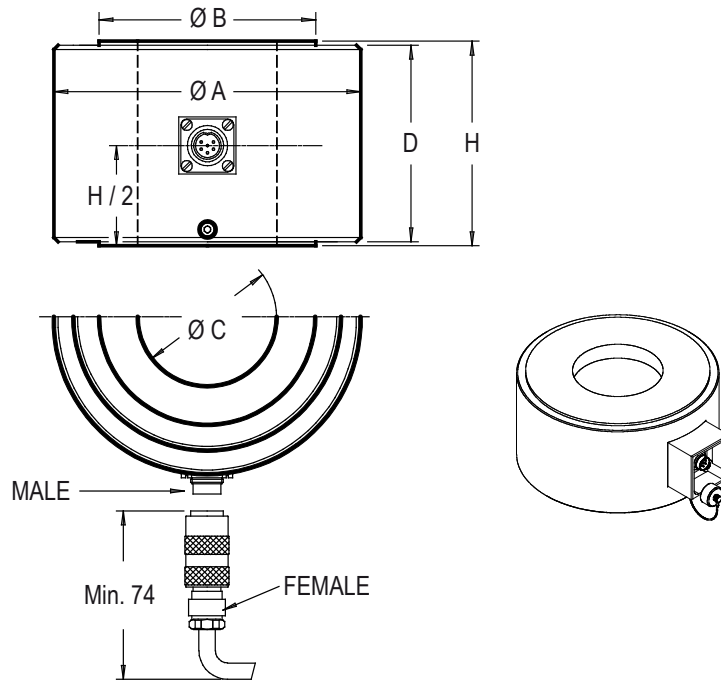
* F.S.: Full Scale.

Specifications subject to change without notice.



ISO 9001 certified

5190-5195 > STANDARD DIMENSIONS



Ref. Item*	Capacities	ØA	ØB	ØC	D	H	H1	Ø2	Max. Deflexion (mm)	CL (m)	Weight (kg)
519x-A	200 - 300 kN	60	49	20	66	70	22	57	0.08	3	1.4
519x-B	500 kN	80	59	30	66	90	28	66	0.1	6	3.2
519x-C	0.75 - 1 MN	110	89	50	81	100	40	97	0.12	6	5.5
519x-D	1.5 - 2 MN	148	120	64	96	140	50	129	0.15	12	17
519x-E	3 MN	180	155	80	124	160	65	172	0.17	12	26
519x-F	5 MN	230	200	105	150	190	75	225	0.2	12	50
5195-G	7.5 - 10 MN	290	290	150	/	260	60	387	0.3	20	100
5195-H	15 MN	340	340	165	/	290	80	480	0.34	20	175
5195-I	20 MN	390	390	200	/	330	110	545	0.38	20	260
-	30 MN	According to customer's design specifications									

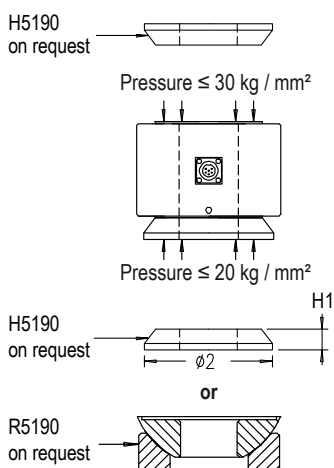
Other dimensions ØA, ØB, and H on request

*x=Material: 5190 - stainless steel; 5195 - nickel-plated steel

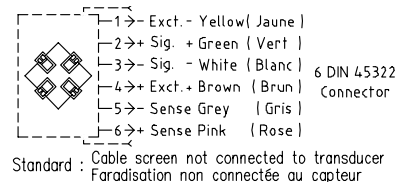
Other capacities and dimensions available on request

Dimensions in mm

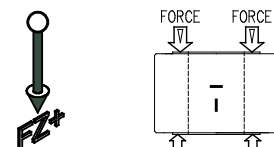
Accessories



Wiring



Load direction



Sales rep.:



Sensors AS
Setersletta 3
NO-2006 LØVENSTAD

+47 67 90 43 00
post@sensors.no
www.sensors.no

Rev. 24/10/2018