

5300

STANDARD LOAD PINS

Load pins with standard dimensions.



Model 5300 - 20 t



Features

- o CE certified for hoisting applications
- o Sturdy design
- o Material: stainless steel
- o Protection class: IP65
- o Easy to install
- o Complete range of CE certified electronics and load limiters
- o Cable length: 6 m (other lengths available on request)

Most popular options



Ex i



IP67 MARINE

Application(s) SENSY's load cells 5300 are perfectly designed for the following applications:

- Hoisting devices and crane security in combination with load limitation electronics (e.g.: BRIDGE-BOY, CRANE-BOY, ...),
- Agriculture machines, theater equipment, elevators, hydraulic cylinders monitoring.

Capacities

5300: 0.5 - 1 - 2 - 3 - 5 - 10 - 20 - 30 - 50 - 75 - 100 - 125*** t

Specifications	SL - FORCE	SL - HOIST	SL - LIFT	
Combined error (non-linearity + hysteresis)	0.25 - 1**	0.5 - 2**	0.5 - 2**	% F.S.*
Repeatability error	<± 0.25	<± 0.25	<± 0.25	% F.S.*
Creep error over 30 min.	<± 0.3	<± 0.3	<± 0.2	% F.S.*
Zero shift after loading	<± 0.5	<± 0.5	<± 0.5	% F.S.*
Reference temperature	23	23	23	°C
Compensated temperature range	-10...+45	-10...+45	-10...+45	°C
Service temperature range	-25...+70	-25...+70	-25...+70	°C
Storage temperature range	-50...+85	-50...+85	-50...+85	°C
Temperature coefficient of the sensitivity	<± 0.2	<± 0.2	<± 0.2	% F.S./10°C
Temperature coefficient of zero signal	<± 0.2	<± 0.2	<± 0.2	% F.S./10°C
Zero balance	± 0.02	± 0.02	± 0.02	mVV
Nominal sensitivity	± 1.5	± 1	± 0.5	mVV
Input resistance	350 ± 2	350 ± 2	350 ± 2	ohm(s)
Output resistance	350 ± 2	350 ± 2	350 ± 2	ohm(s)
Insulation resistance (50 V)	> 5000	> 5000	> 5000	Mohm(s)
Reference excitation voltage	10	10	10	VDC
Permissible nominal range of excitation voltage	3...12	3...12	3...12	VDC
Safe load limit	150	200	300	% F.S.*
Breaking load	> 300	> 500	> 1000	% F.S.*
Permissible dynamic loading	50	75	100	% F.S.*
Static lateral force limit	100	150	200	% F.S.*

* F.S. : Full Scale.

** Typical range of accuracy, depending on design and dimensions.

*** 125 t only force version.

Specifications subject to change without notice.

5300 > TECHNICAL SPECIFICATIONS

Load pins range



5000 (1 to 2000 t)
CUSTOM-MADE LOAD PIN



5050 (1 to 2000 t)
SUBSEA LOAD PIN

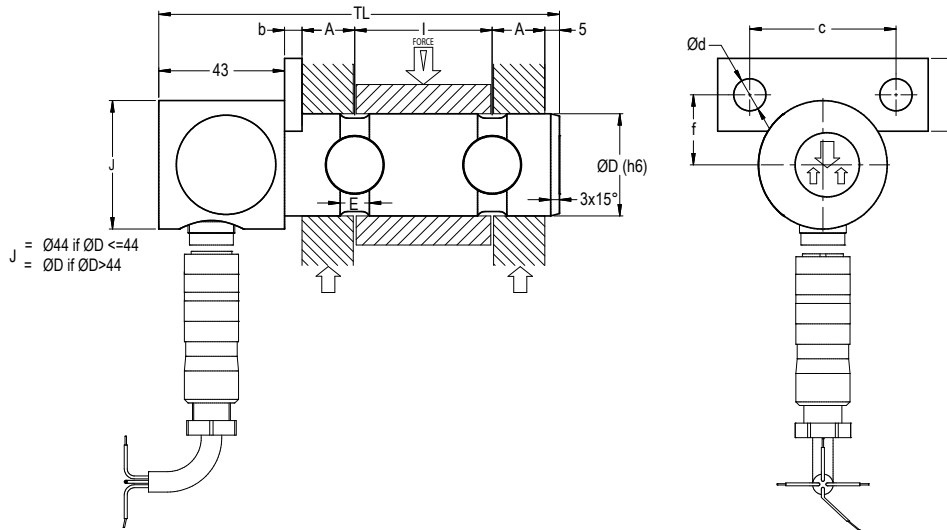


5300 (0.5 to 125 t)
STANDARD LOAD PIN



5600 (0.5 to 14 t)
ECONOMICAL LOAD PIN

5300 drawing



Ref. Item	CAPACITIES			ØD	A	E	l	a	b	c	Ød	f	TL	Weight (kg)
	Force > 300 %*	Hoist > 500 %*	Lift > 1000 %*											
5300-A	0.75 t	0.5 t	0.25 t	25	13.5	8	31	25	6	50	11	20.5	112	1.02
5300-B	1.5 - 3 t	1 - 2 t	0.5 - 1 t	25	13.5	8	31	25	6	50	11	20.5	112	1.04
5300-C	5 - 7.5 t	3 - 5 t	1.5 - 2.5 t	35	18	10	47	25	6	50	11	24	137	1.44
5300-D	16.6 t	10 t	5 t	50	27	14	66	30	8	70	13	33	176	2.88
5300-E	30 t	20 t	10 t	65	32.5	18	90	30	8	70	13	38	211	5.44
5300-F	50 t	30 t	15 t	75	40	25	100	40	10	100	17	47	241	8.15
5300-G	75 t	50 t	-	85	49	20	117	40	10	100	17	50.5	271	12
5300-H	100 t	75 t	-	100	72.5	35	155	40	10	100	17	56	354	21.1
5300-I	125 t	100 t	-	120	72.5	35	155	50	12	140	21	68.5	354	31.4

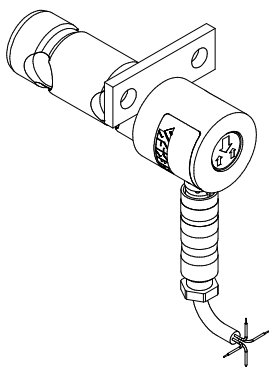
* Breaking load (% full scale)

→ Other capacities and dimensions available on request

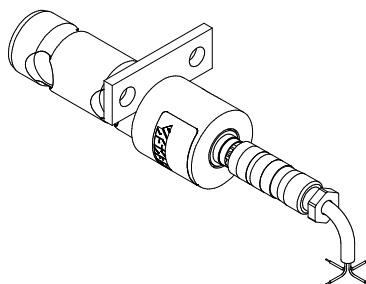
Dimensions in mm

Other views

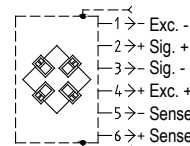
RADIAL OUTPUT (STANDARD)



AXIAL OUTPUT (5300A-x) - OPTION



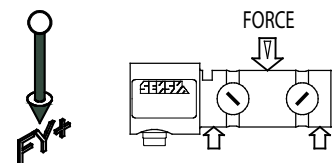
Wiring



Yellow
Green 6 DIN 45322
White Connector
Brown

Standard: Cable screen not connected to transducer

Load direction



Sales rep.:



Sensors AS
Setersletta 3
NO-2006 LØVENSTAD

+47 67 90 43 00
post@sensors.no
www.sensors.no