

DRAW WIRE SENSOR



SXM30 SERIES

Key-Features:

- Measurement ranges from 150 to 750 mm
- Economy version for ranges 500 and 750 mm
- Output: potentiometer 1 k Ω , 5 k Ω or 10 k Ω
- Linearity up to $\pm 0.1\%$ of full scale
- Protection class up to IP50
- Temperature range: -40...+80 °C
- Compact, perfect for medical application

Content

Technical Data	2
Mechanical Data	2
Technical Drawing	3
Options	4
Accessories	4
Order Code	5

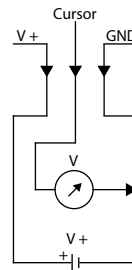
TECHNICAL DATA

		Economy version		Standard version						
		500	750	150	225	250	375	500	750	
Measurement range MR	[mm]	500	750	150	225	250	375	500	750	
Linearity	[%]	±0.25		±0.2				±0.1		
Resolution		see output types below								
Sensor element		Wirewound Potentiometer			Hybrid Potentiometer					
Connection		solder terminals								
Protection class		IP40			IP50			IP40		
Temperature		see output types below								
Mechanical data		extraction force, max. velocity and max. acceleration see „Mechanical Data“								
Housing		glass fibre reinforced PA								
Draw wire		stainless steel V4A with synthetic coating Ø 0.36 mm (optional: Coramid)								
Weight	[g]	approx. 50								

ELECTRICAL DATA

	Economy version		Standard version	
	1RE	1R	5R	10R
Order code	1RE	1R	5R	10R
Output	1 kΩ	1 kΩ	5 kΩ	10 kΩ
Supply	max. 30 V			
Recommended cursor current	<1 μA			
Resolution	0.03 %	theoretically unlimited, limited by the noise		
Noise	depends on the quality of the power supply			
Operating temperature	-20...+80 °C	-40...+80 °C		
Temperature coefficient	±0.0025 %/K			

Circuit



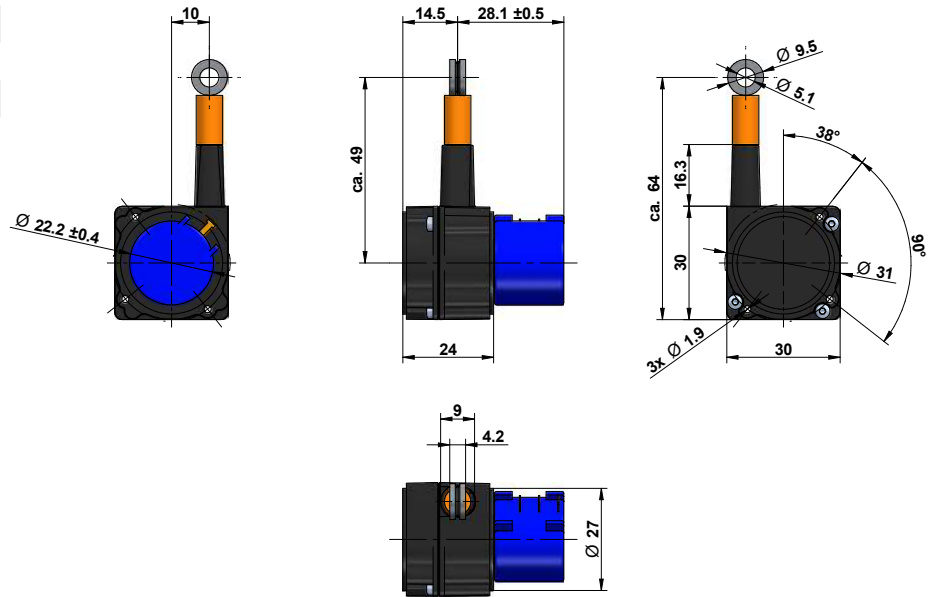
MECHANICAL DATA

Measurement range [mm]	Extraction force		Retraction force		Speed V _{max} [m/s]	Acceleration Ø a _Ø [m/s ²]
	F _{min} [N]	F _{max} [N]	F _{min} [N]	F _{max} [N]		
150	1.4	2.7	1.3	1.8	3	50
225	1.1	2	0.9	1.5	4	50
250	1.7	2.8	1.3	1.9	4	50
375	1.1	2	0.9	1.3	5	50
500	1.6	3	1.2	2.4	6	50
750	1.1	2.3	0.9	1.4	7	50

TECHNICAL DRAWING

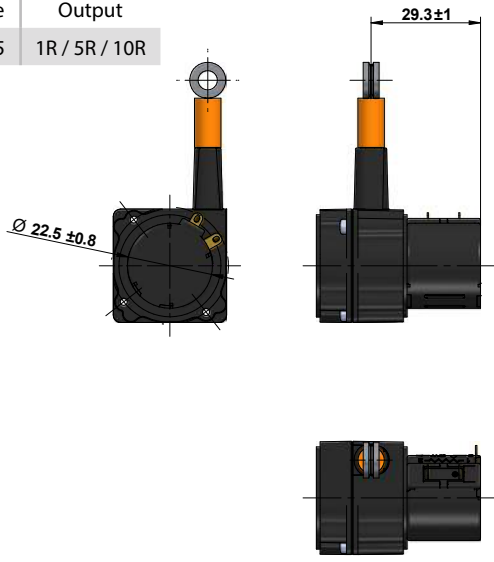
Economy version

Measurement range	Output
500 / 750	1RE



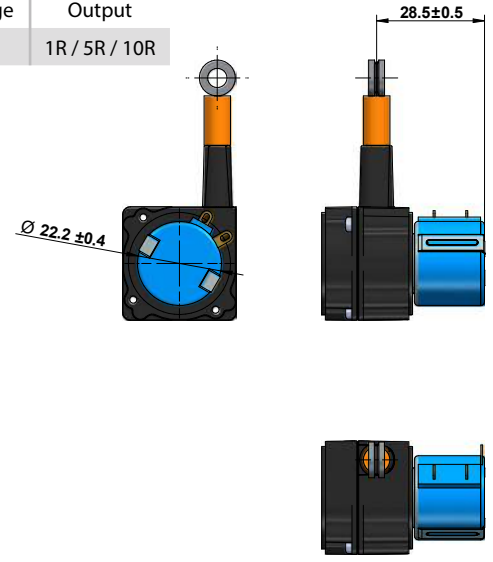
Standard version

Measurement range	Output
150 / 225 / 250 / 375	1R / 5R / 10R

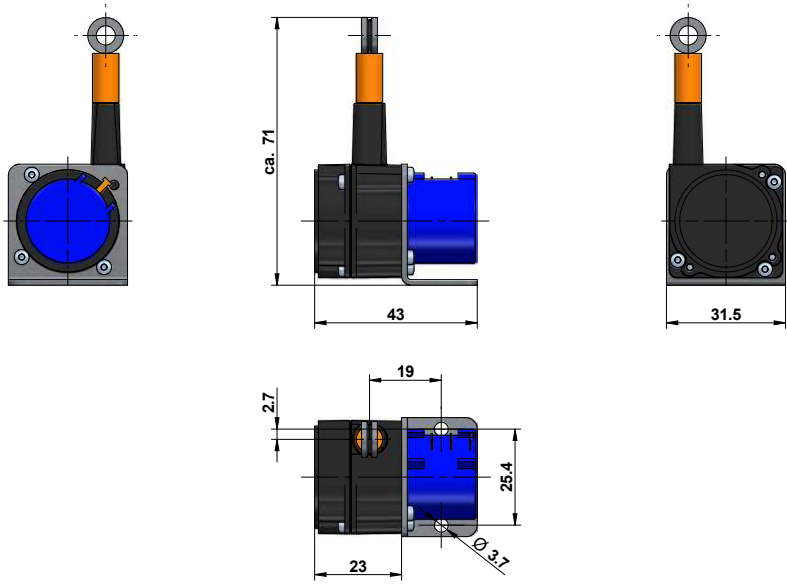


Standard version

Measurement range	Output
500 / 750	1R / 5R / 10R



Mounting bracket BW-SXM30



ORDER CODE

SXM30 - - - LF -

Measurement range MR [mm] 150 / 225 / 250 / 375 / 500 / 750	<input type="checkbox"/>
---	--------------------------

Output signal economy version Potentiometer 1 kΩ ¹⁾	1RE
Output signal standard version Potentiometer 1 kΩ Potentiometer 5 kΩ Potentiometer 10 kΩ	1R 5R 10R

Version Standard Sensor with options	- O
---	----------------------

Option	Description (see page 4)
COR	Synthetic wire rope (Coramid)
DS	Rope clip with drill protection
M4	Rope fixation M4
ZH	Cylindrical pin
ZR	Cylindrical pin with carbine ring

¹⁾ **Economy version:** 500 mm or 750 mm only

Bold text: standard with shorter lead time

ACCESSORIES

UR2	deflection pulley
MGG1	magnetic clamp
BW-SXM30	mounting bracket, holding plate, 2x screw

SV1-XXXX	rope extension (150 mm up to 4995 mm)
SV2-XXXX	rope extension (5000 mm up to 19995 mm)
SV3-XXXX	rope extension (20000 mm up to 40000 mm)

Digital displays for sensors with analog output, 2 channel	
WAY-AX-S	touch screen, supply: 18...30 VDC
WAY-AX-AC	touch screen, supply: 115...230 VAC

Signal conditioner	
PMX-24	Output signals: 4...20 mA, 0...10 V, 0...5 V, ±10 V, ±5 V
For more information and options please refer to the PMX-24 data sheet .	

For more information and options please refer to the [WAY-AX data sheet](#).

Sales rep.:



Sensors AS
Setersletta 3
NO-2006 LØVENSTAD
+47 67 90 43 00
post@sensors.no
www.sensors.no

Subject to change without prior notice.

WayCon Positionsmesstechnik GmbH
Email: info@waycon.de
Internet: www.waycon.biz

Headquarters Munich
Mehlbeerenstr. 4
82024 Taufkirchen
Tel. +49 (0)89 67 97 13-0
Fax +49 (0)89 67 97 13-250

Office Cologne
Auf der Pehle 1
50321 Brühl
Tel. +49 (0)2232 56 79 44
Fax +49 (0)2232 56 79 45



Positionsmesstechnik